

» **THE LEADING
CATCH BASIN INSERT
TECHNOLOGY
IN AUSTRALASIA**

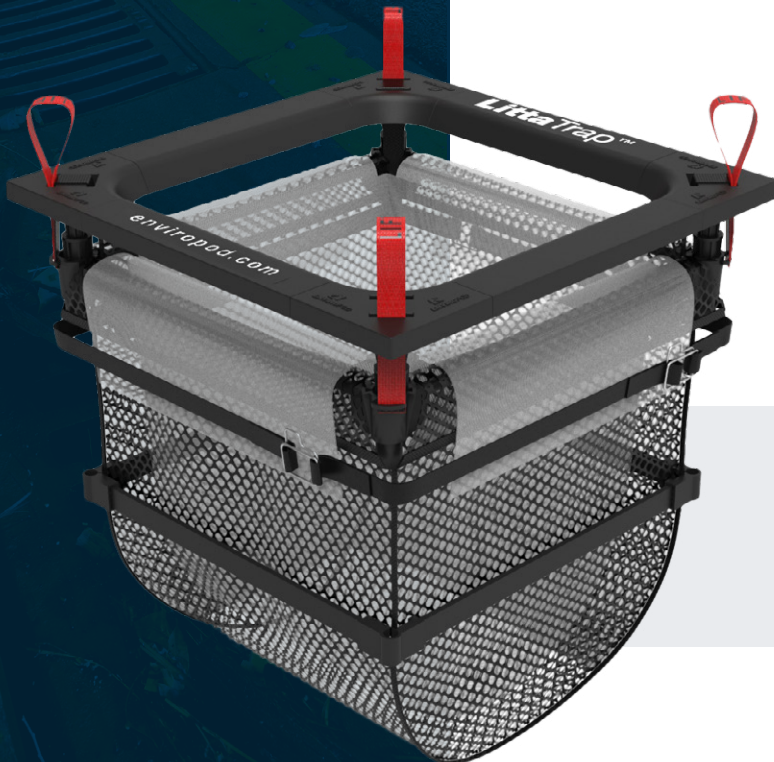
» **ENVIROPOD HAS
OVER 25 YEARS
OF DEVELOPING AT-
SOURCE TREATMENT**

» **OVER 50,000
ENVIROPOD
INSTALLATIONS
WORLDWIDE**

With improvements over the last 25 years the Enviropod LittaTrap catch basin treatment system is one of the world's best.

The intuitive and adaptive design allows easy install and operation in all forms of stormwater catch basin infrastructure. The design maximizes hydraulic conductivity and storage volume.

- » **EASY INSTALLATION** with fewer parts and a lighter frame, the installation process is quicker and saves you time on site
- » **FLEXIBILITY** The flexible design allows the system to be easily adjusted to fit any catch basin configurations
- » **SEAL AND ADAPTOR KITS** for irregular sized and manhole catchbasins
- » **HAND MAINTENANCE**
The LittaTrap can be maintained quickly and easily by hand or by vacuum truck
- » **THIRD PARTY TESTED** and hydraulically engineered
- » **LIGHTWEIGHT & DURABLE**
The lightweight yet durable design of the LittaTrap is a safer and a longer lasting product than the alternatives
- » **MANHOLE AND GRATE INLET**
Design options available, contact us to start your project today



More information is available at
www.enviropod.com



EASY MAINTENANCE

Maintenance is a simple process that requires no confined space entry. Maintenance can be quickly undertaken using a vacuum truck or it can be maintained manually by hand.



1 Lift

Lift the LittaTrap out of the catch basin using the LIFT handles.



2 Tip

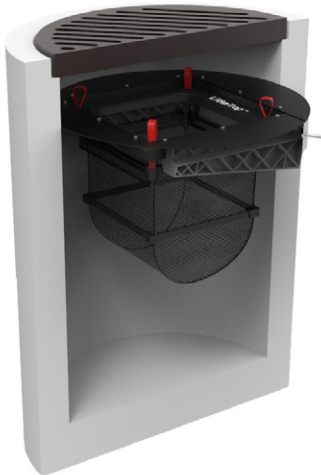
Tip the contents out of LittaTrap into suitable receptacle for contents.



3 Reuse

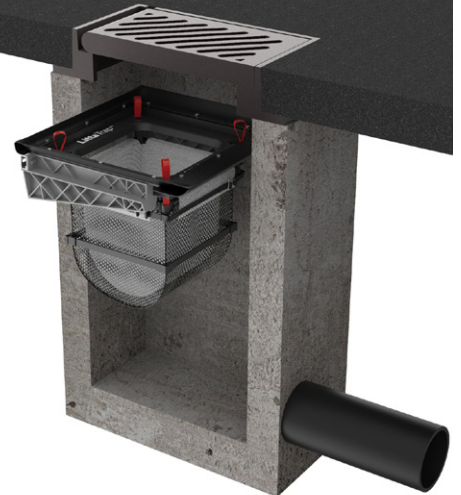
Reuse the LittaTrap by placing securely back into the surrounding frame and seal, and close grate.

INSTALLATION - MANHOLE AND GRATE INLET



Scan QR code to download installation manual or go to:

www.enviropod.com/resources/installation



Captured trash from one LittaTrap

